

# BK-AIO - Central unit

## Modern and intelligent controller managing ventilation and smoke extraction in lift shafts

The BK-AIO central unit stands out by its handy and particularly compact casing and its increased modularity. The BK-AIO has been developed with a handful of components, to be installed in no time and to be ready for immediate use.

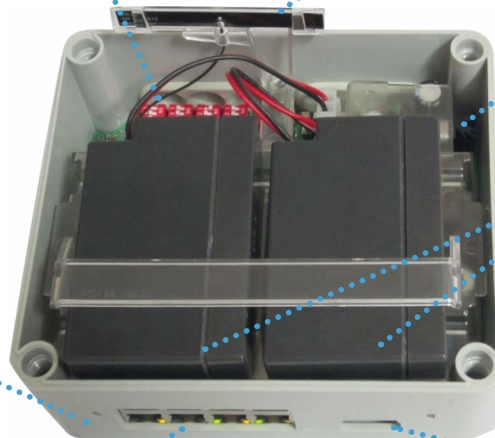


### Features

Can be configured via encoding switch if needed  
(all systems delivered fully functional)



Integrated temperature sensor for the ventilation of the lift shaft and therefore the lift cabin when registered temperature is exceeded.



Integrated radio transmitter for the communication with the wireless ventilation control (LST)

Motor monitoring by the integrated cycle counter

Emergency power supply batteries for the back-up of ventilation functions in the event of a power failure (optional for ventilation flaps ; compulsory for the safe use of louvre windows or Thermo Flap with direct current motor)

Easy startup through 230V plug-in connection



1	3	5	7
Smoke MR	COM 1	COM 2	M2
Smoke SHAFT	PB Display	Switch	M1
2	4	6	8

Simple connection of additional components thanks to 8 RJ45 connectors with LED status display / group monitoring : disfunction or alarm

#### RJ45 connectors allocation:

1. Connection of smoke detector for machine room
2. Connection of LIFT Beam, smoke extraction system or smoke detector in the lift shaft
3. Outputs / inputs
4. Connection alarm & vent button with status display
5. Outputs / inputs
6. Connection of additional components such as: temperature sensor, humidity sensor, key switch etc.
- 7+8. Connection of up to 2 ventilation flaps or Louvre windows per connector (RJ45 switch used for the connection of 2 motors)

# BK-AIO - Central unit

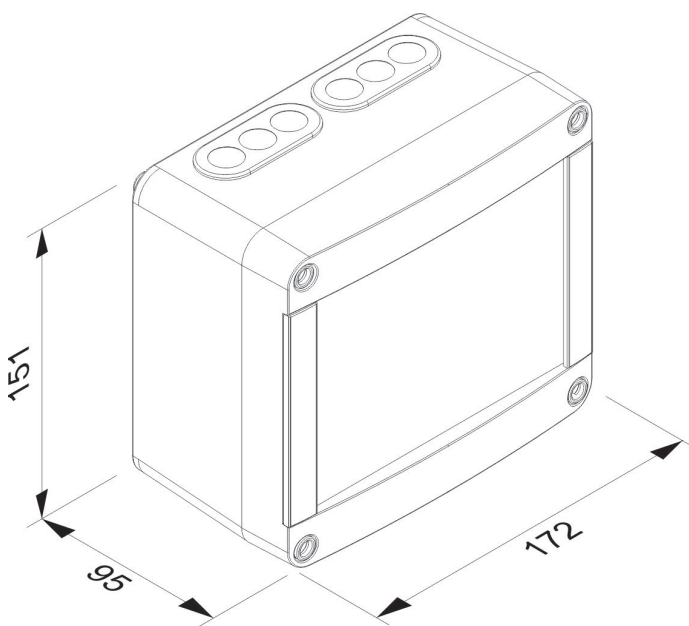
## Operation

The BK-AIO is suitable for lifts with no machine room as well as lifts with a machine room. The BK-AIO central unit can be installed either at the head shaft or in the machine room. To keep the startup as simple as possible, the BK-AIO central unit is configured before dispatch.

## Installation recommendations

Please refer to BlueKit-AIO installation guide for mounting instructions. The installation must be made in compliance with existing recognised national or international standards and codes of practice.

Specifications and cabling information provided are certified to be accurate. BK-Factory undertakes no responsibility for their use. Data and design are subject to change without notice. Installation and wiring instructions are sent with the products and should always be used for any installation.



TECHNICAL SPECIFICATION	
Power supply	230V AC, 50Hz
Temperature range	-5°C to +40°C
Power output	75 W , 127 VA
Power output in standby	6,5 W , 12 VA
IP rating	50
Voltage OUT	24V DC (+10%, -15%)
Current OUT	2A
Potential free contacts	
Max. voltage	60 V DC
Max. current	1A
Temperature sensor setting range	30°C or 35° C
Temperature sensor hysteresis	Ventilation operation 2°K
Cycle counter	LED coded
Casing material	Polycarbonate
Casing colour	RAL 7035 light grey

DIMENSIONS AND WEIGHT				
Parameter	Width mm	Height mm	Depth mm	Weight g
BK-AIO without emergency power supply batteries	172	151	95	820
BK-AIO with emergency power supply batteries	172	151	95	1634



FURTHER INFORMATION

[www.bluekit.eu](http://www.bluekit.eu)

» INTELLIGENT LIFT SHAFT SYSTEMS

» EUROPE-WIDE AVAILABLE